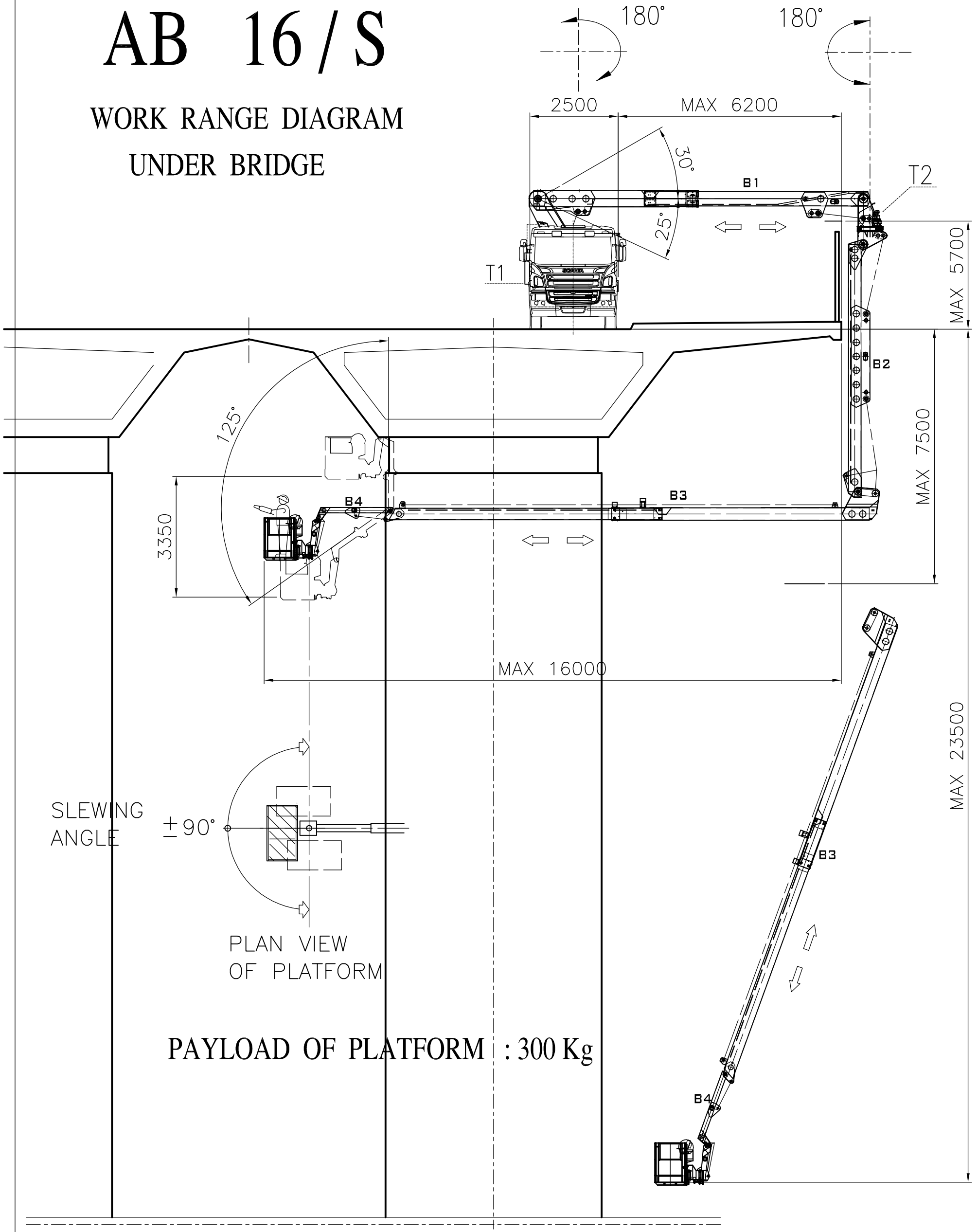


AB 16 / S

WORK RANGE DIAGRAM UNDER BRIDGE



SUBJECT TO SLIGHT MODIFICATIONS

barin

denom.ne GENERAL SCHEME

matr. Australia

dis.n. 8478

lav.n. -

compl.vo AB

data

09/12/2010

scale

1:100

CAD DWG

rif.dis.n.

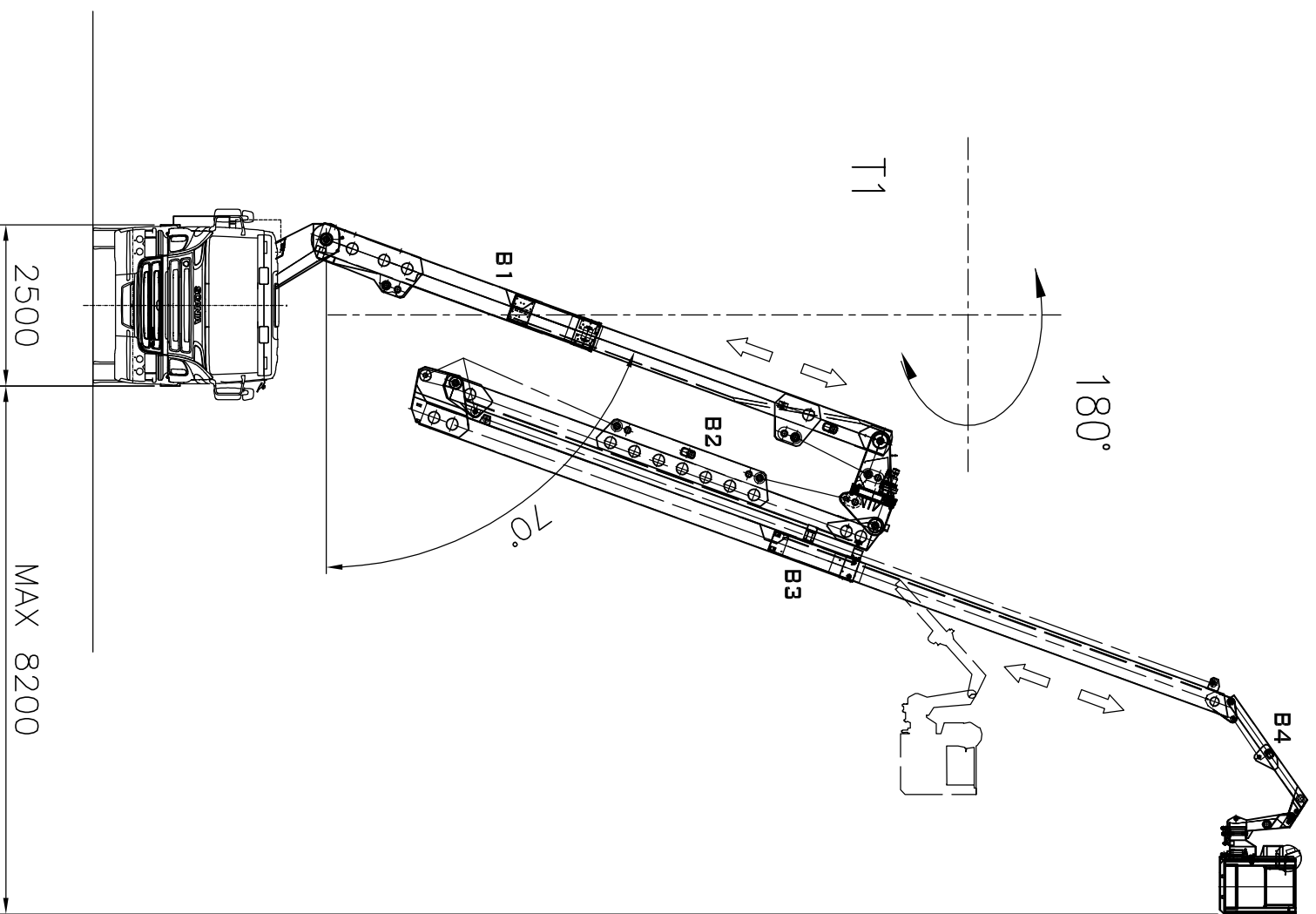
dis. Cestaro Bruno

cont. Ing Zuccolo Tristano

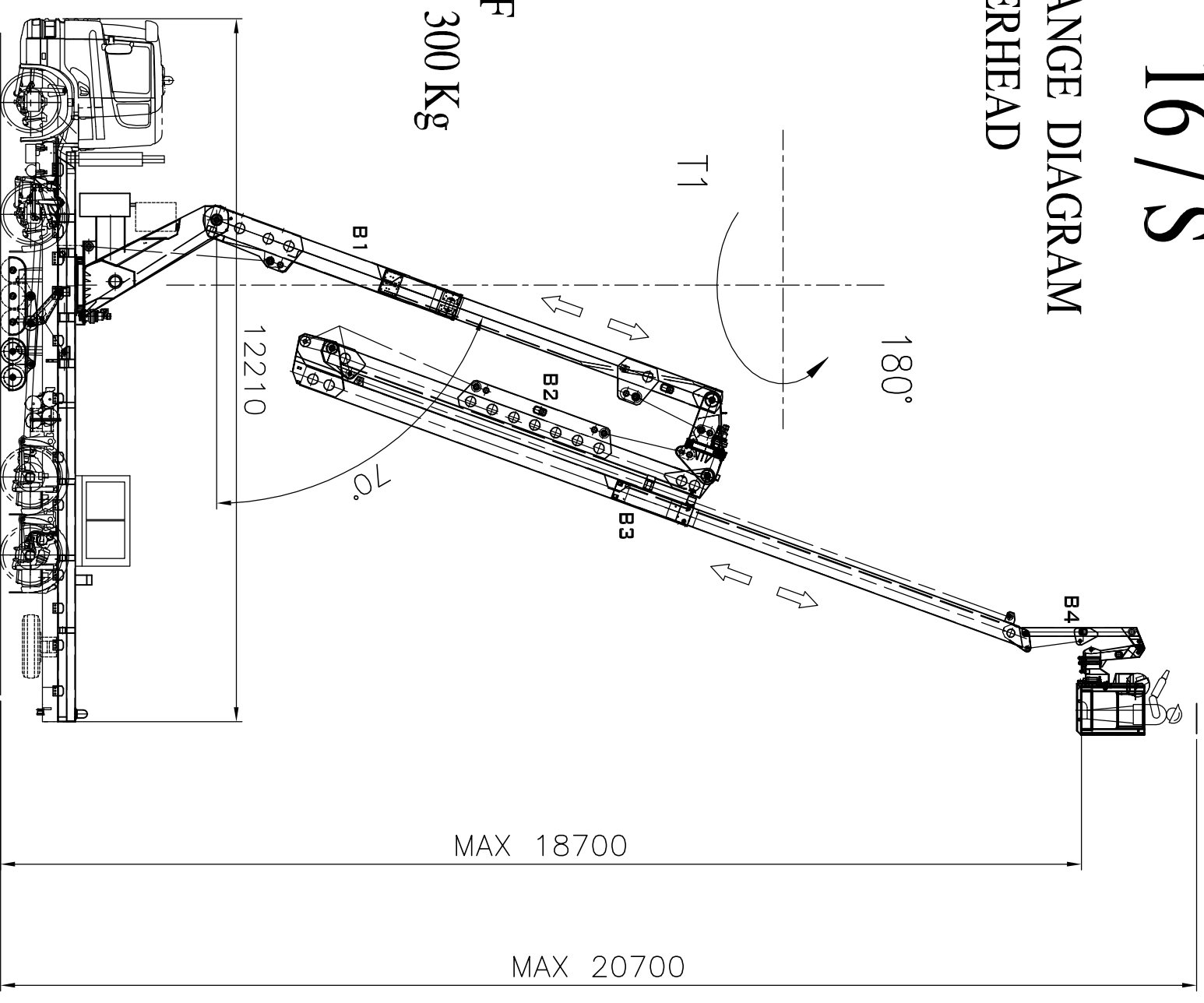
— cittadella pd — tel.049/5971300 fax 049/9400229 — <http://www.barin.it> E-mail:info@barin.it
even partial is forbidden by law—use and spreading to third parties is forbidden—copyright

AB 16/S

WORK RANGE DIAGRAM OVERHEAD



PAYLOAD OF
PLATFORM : 300 Kg



SUBJECT TO SLIGHT MODIFICATIONS

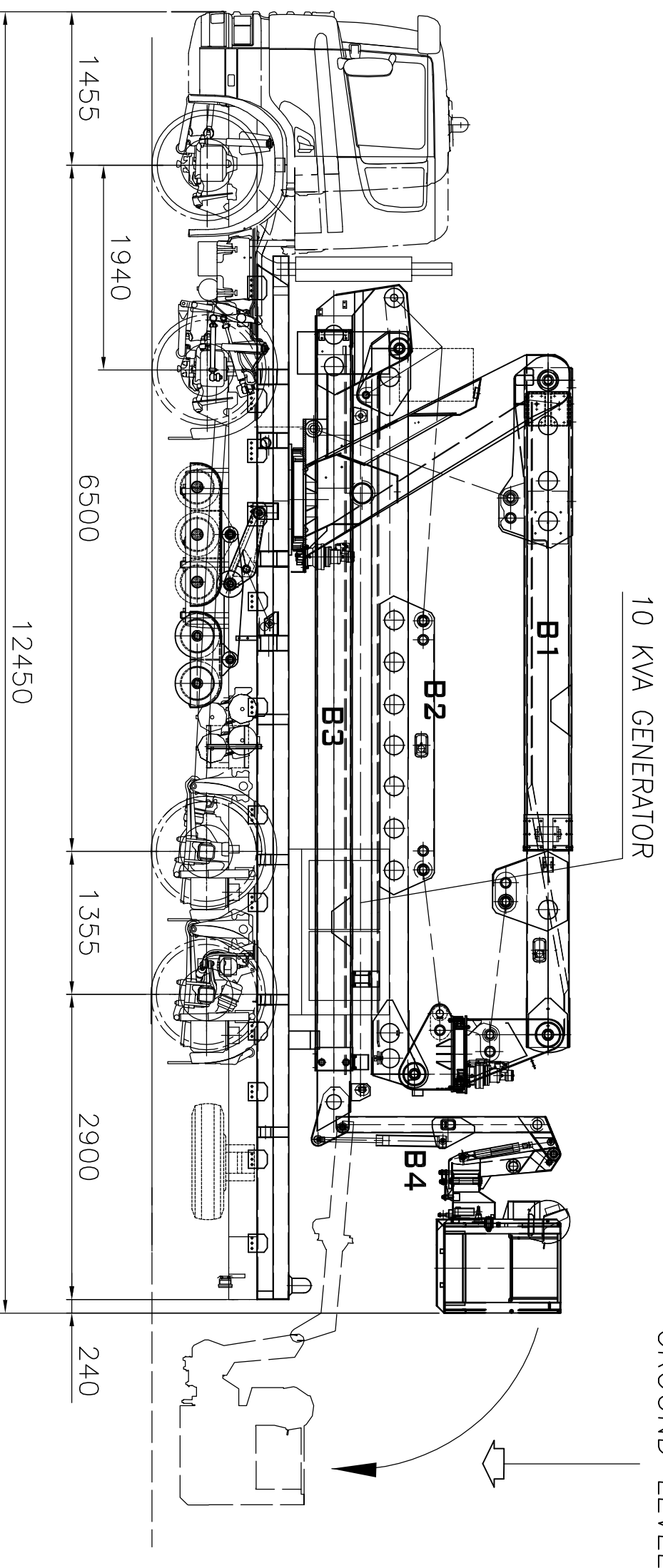
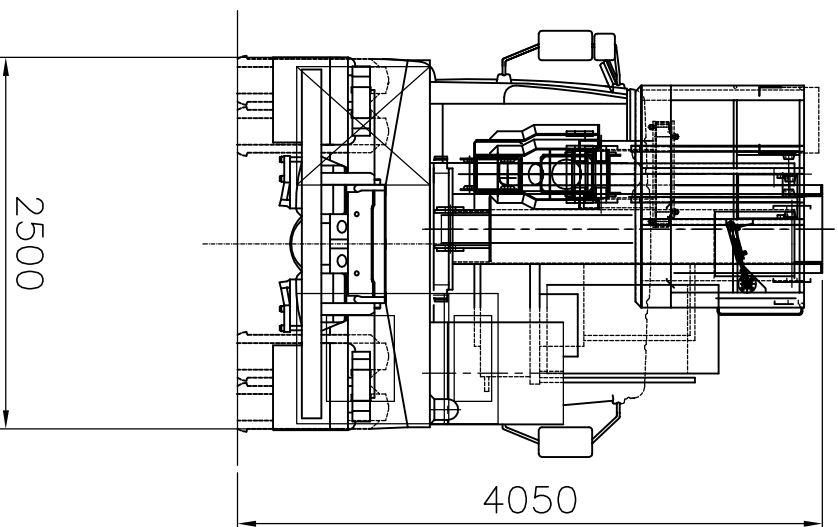
barin

denom.ne GENERAL SCHEME		motr.	dis.n.	lov.n.
compi.vo AB		Australia	8479	-
CAD DWG	rif.dis.n.	dis.	Cestaro Bruno	cont.
				Ing Zuccolo Tristano
		data	09/12/2010	scale
				1:100

— cittadella pd — tel:049/5971300 fax 049/9400229 — http://www.barin.it E-mail:info@barin.it
even partial is forbidden by law-use and spreading to third parties is forbidden-copyright

AB 16 / S

OVERALL DIMENSIONS IN ROAD TRANSPORT POSITION



15.500 Kg

22.500 Kg

TRUCK MOUNTED

SCANIA P 400 LB 8x4 HNB Chassis

TOTAL WEIGHT : 38.000 Kg

SUBJECT TO SLIGHT MODIFICATIONS

barin			
denom.ne GENERAL SCHEME		motr.	dis.n.
compi.vo AB		Australia	8477
CAD DWG	rif.dis.n.	dis.	Cestaro Bruno
		data	07/12/2010
		cont.	Ing Zuccolo Tristano
		scale	1:50
— cittadella pd — tel:049/5971300 fax 049/9400229 — http://www.barin.it E-mail:info@barin.it		even partial is forbidden by law—use and spreading to third parties is forbidden—copyright	