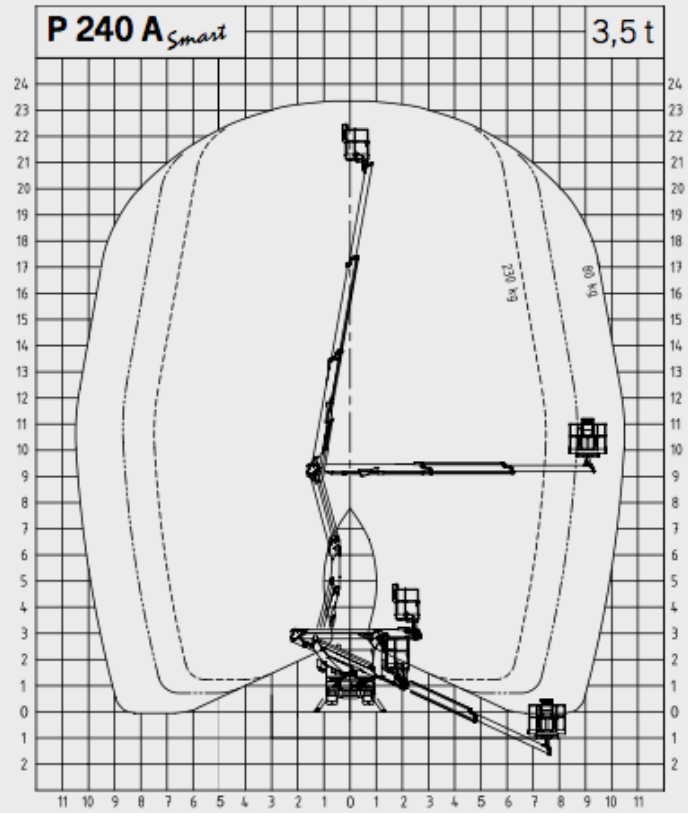
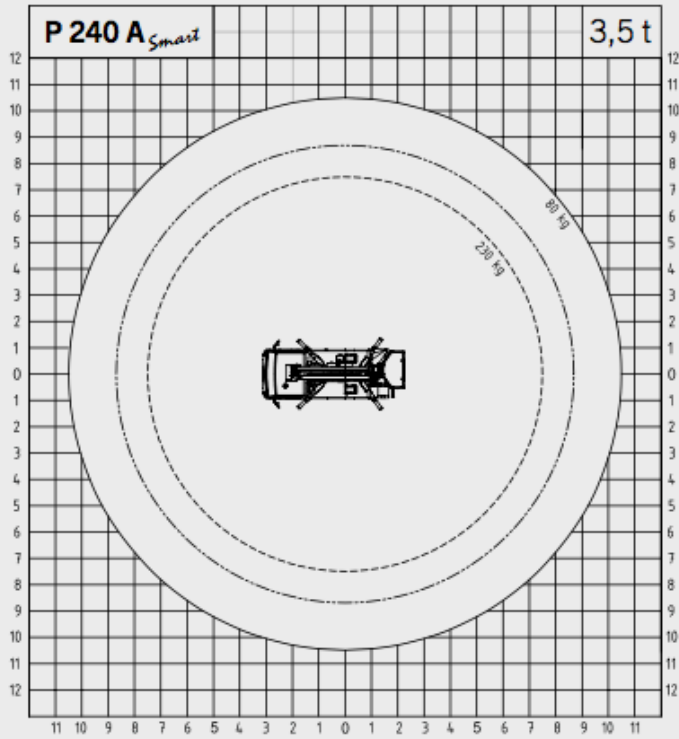


P 240 A *Smart*

WORKING DIAGRAMS



DIMENSIONS

